

Thank you for purchasing this RKC product. In order to achieve maximum performance and ensure proper operation of your new instrument, carefully read all the instructions in this manual. Please place the manual in a convenient location for easy reference.

This manual describes the handling precautions, mounting, wiring and specifications only. For the basic operations, refer to **COM-JG [For FB100/FB400/FB900] Quick Operation Manual (IMR01Y13-ED)**. For the detail handling procedures and various function settings, please read if necessary the **COM-JG [For FB100/FB400/FB900] Instruction Manual (IMR01Y08-ED)**; separate manual.

These manuals can be downloaded from our website:
URL: http://www.rkcinst.com/english/manual_load.htm

Product Check

COM-JG [For FB100/FB400/FB900] Installation Manual (this manual)	1
COM-JG [For FB100/FB400/FB900] Quick Operation Manual (IMR01Y13-ED)	1
COM-JG [For FB100/FB400/FB900] Communication Data List (IMR01Y18-ED)	1
GSD file (download free)	1

*The GSD file can be downloaded from our website.

Safety Precautions

WARNING

- An external protection device must be installed if failure of this instrument could result in damage to the instrument, equipment or injury to personnel.
- All wiring must be completed before power is turned on to prevent electric shock, fire or damage to instrument and equipment.
- This instrument must be used in accordance with the specifications to prevent fire or damage to instrument and equipment.
- This instrument is not intended for use in locations subject to flammable or explosive gases.
- Do not touch high-voltage connections such as power supply terminals, etc. to avoid electric shock.
- RKC is not responsible if this instrument is repaired, modified or disassembled by other than factory-approved personnel. Malfunction can occur and warranty is void under these conditions.

CAUTION

- This product is intended for use with industrial machines, test and measuring equipment. (It is not designed for use with medical equipment and nuclear energy.)
- This is a Class A instrument. In a domestic environment, this instrument may cause radio interference, in which case the user may be required to take additional measures.
- This instrument is protected from electric shock by reinforced insulation. Provide reinforced insulation between the wire for the input signal and the wires for instrument power supply, source of power and loads.
- Be sure to provide an appropriate surge control circuit respectively for the following:
 - If input/output or signal lines within the building are longer than 30 meters.
 - If input/output or signal lines leave the building, regardless the length.
- This instrument is designed for installation in an enclosed instrumentation panel. All high-voltage connections such as power supply terminals must be enclosed in the instrumentation panel to avoid electric shock by operating personnel.
- All precautions described in this manual should be taken to avoid damage to the instrument or equipment.
- All wiring must be in accordance with local codes and regulations.
- To prevent instrument damage or failure, protect the power line and the input/output lines from high currents with a protection device such as fuse, circuit breaker, etc.
- Prevent metal fragments or lead wire scraps from falling inside instrument case to avoid electric shock, fire or malfunction.
- Tighten each terminal screw to the specified torque found in the manual to avoid electric shock, fire or malfunction.
- For proper operation of this instrument, provide adequate ventilation for heat dispensation.
- Do not connect wires to unused terminals as this will interfere with proper operation of the instrument.
- Turn off the power supply before cleaning the instrument.
- Do not use a volatile solvent such as paint thinner to clean the instrument. Deformation or discoloration will occur. Use a soft, dry cloth to remove stains from the instrument.
- To avoid damage to instrument display, do not rub with an abrasive material or push front panel with a hard object.

NOTICE

- This manual assumes that the reader has a fundamental knowledge of the principles of electricity, process control, computer technology and communications.
- The figures, diagrams and numeric values used in this manual are only for purpose of illustration.
- RKC is not responsible for any damage or injury that is caused as a result of using this instrument, instrument failure or indirect damage.
- RKC is not responsible for any damage and/or injury resulting from the use of instruments made by imitating this instrument.
- Periodic maintenance is required for safe and proper operation of this instrument. Some components have a limited service life, or characteristics that change over time.
- Every effort has been made to ensure accuracy of all information contained herein. RKC makes no warranty expressed or implied, with respect to the accuracy of the information. The information in this manual is subject to change without prior notice.
- No portion of this document may be reprinted, modified, copied, transmitted, digitized, stored, processed or retrieved through any mechanical, electronic, optical or other means without prior written approval from RKC.

1. MOUNTING

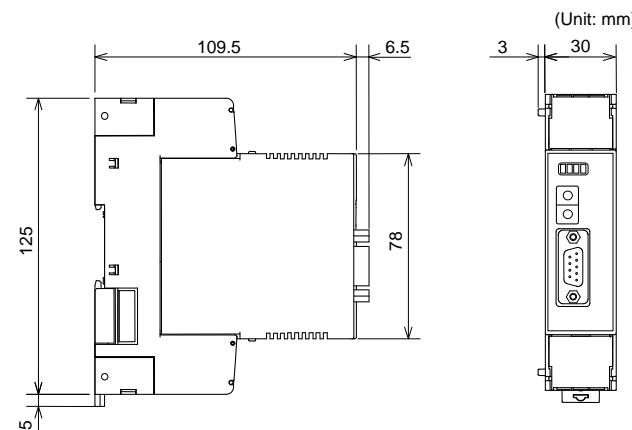
WARNING

To prevent electric shock or instrument failure, always turn off the power before mounting or removing the instrument.

1.1 Mounting Cautions

- This instrument is intended to be used under the following environmental conditions. **(IEC61010-1) [OVERVOLTAGE CATEGORY II, POLLUTION DEGREE 2]**
 - Use this instrument within the following environment conditions:
 - Allowable ambient temperature: -10 to +50 °C
 - Allowable ambient humidity: 5 to 95 % RH (Absolute humidity: MAX. W. C 29.3 g/m³ dry air at 101.3 kPa)
 - Installation environment conditions: Indoor use
Altitude up to 2000 m
- Avoid the following conditions when selecting the mounting location:
 - Rapid changes in ambient temperature which may cause condensation.
 - Corrosive or inflammable gases.
 - Direct vibration or shock to the mainframe.
 - Water, oil, chemicals, vapor or steam splashes.
 - Excessive dust, salt or iron particles.
 - Excessive induction noise, static electricity, magnetic fields or noise.
 - Direct air flow from an air conditioner.
 - Exposure to direct sunlight.
 - Excessive heat accumulation.
- Mount this instrument in the panel considering the following conditions:
 - Ensure at least 50 mm space on top and bottom of the instrument for maintenance and environmental reasons.
 - Do not mount this instrument directly above equipment that generates large amount of heat (heaters, transformers, semi-conductor functional devices, large-wattage resistors).
 - If the ambient temperature rises above 50 °C, cool this instrument with a forced air fan, cooler, etc. Cooled air should not blow directly on this instrument.
 - In order to improve safety and the immunity to withstand noise, mount this instrument as far away as possible from high voltage equipment, power lines, and rotating machinery.
 - High voltage equipment: Do not mount within the same panel.
 - Power lines: Separate at least 200 mm.
 - Rotating machinery: Separate as far as possible.
- If this instrument is permanently connected to equipment, it is important to include a switch or circuit-breaker into the installation. This should be in close proximity to the equipment and within easy reach of the operator. It should be marked as the disconnecting device for the equipment.

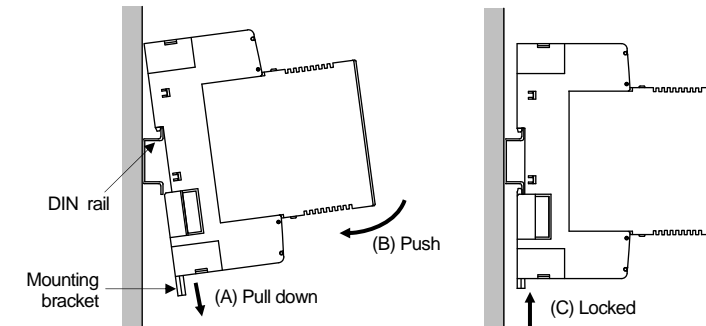
1.2 Dimensions



1.3 DIN rail Mounting

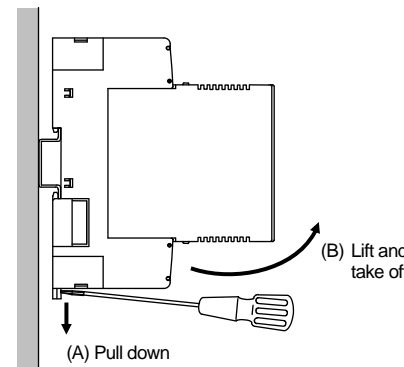
Mounting procedures

- Pull down the mounting bracket at the bottom of the instrument (A). Attach the hooks on the top of the instrument to the DIN rail and push the lower section into place on the DIN rail (B).
- Slide the mounting bracket up to secure the instrument to the DIN rail (C).



Removal procedures

Pull down a mounting bracket with a blade screwdriver (A). Lift the instrument from bottom, and take it off (B).



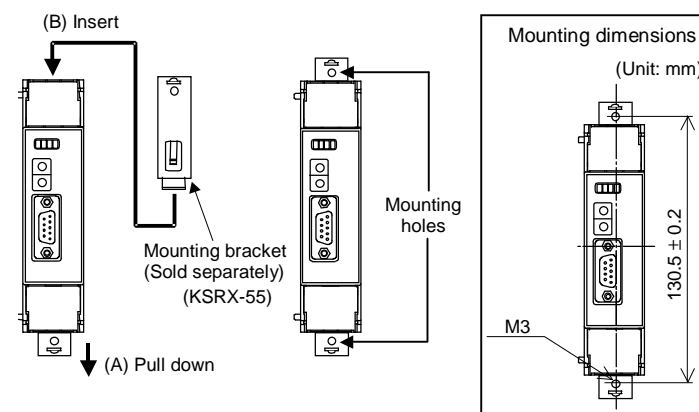
1.4 Panel Mounting

Mounting procedures

- Pull down the mounting bracket (A) until locked and that a mounting hole appears.
- Prepare one mounting bracket per instrument (B) sold separately (KSRX-55) and then insert it in the rear of the terminal board at top of the instrument until locked but a mounting hole does not disappear.
- Mount each module directly on the panel with screws which are inserted in the mounting holes of the top and bottom mounting brackets.

Recommended tightening torque: 0.3 N·m (3 kgf·cm)

The customer needs to provide the M3 size screws. Select the screw length that matches the mounting panel.



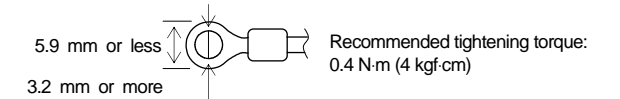
2. WIRING

WARNING

To prevent electric shock or instrument failure, do not turn on the power until all wiring is completed. Make sure that the wiring is correct before applying power to the instrument.

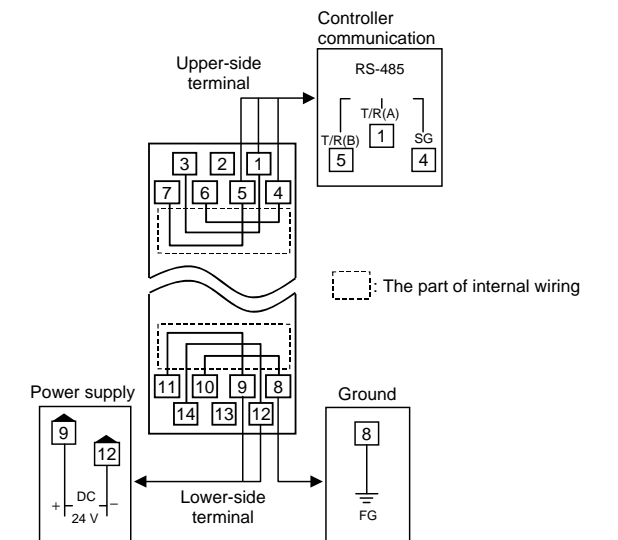
2.1 Wiring Cautions

- To avoid noise induction, keep communication signal wire away from instrument power line, load lines and power lines of other electric equipment.
- If there is electrical noise in the vicinity of the instrument that could affect operation, use a noise filter.
 - Shorten the distance between the twisted power supply wire pitches to achieve the most effective noise reduction.
 - Always install the noise filter on a grounded panel. Minimize the wiring distance between the noise filter output and the instrument power supply terminals to achieve the most effective noise reduction.
 - Do not connect fuses or switches to the noise filter output wiring as this will reduce the effectiveness of the noise filter.
- Power supply wiring must be twisted and have a low voltage drop.
- For an instrument with 24 V power supply, supply power from a SELV circuit.
- A suitable power supply should be considered in end-use equipment. The power supply must be in compliance with a limited-energy circuits (maximum available current of 8 A).
- Use the solderless terminal appropriate to the screw size (M3).



- Make sure that any wiring such as solderless terminal is not in contact with the adjoining terminals.

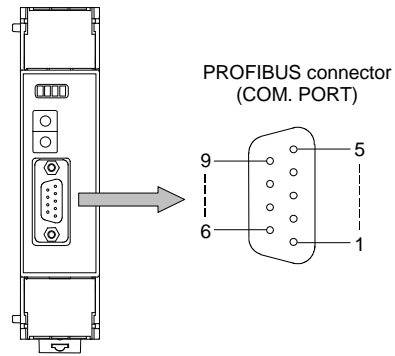
2.2 Terminal Configuration



- As controller communication terminal Nos. 1, 4 and 5 are internally connected to terminal Nos. 3, 6 and 7, any terminals can be used.
- As ground and power supply terminal Nos. 8, 9 and 12 are internally connected to terminal Nos. 10, 11 and 14, any terminals can be used.
- Terminal No. 2 and No. 13 is not used.

2.3 Connection to PROFIBUS

Pin Layout of Connector



Pin No.	Signal name	Symbol
1	—	Unused
2	—	Unused
3	Receive data/Transmission data (plus)	RxD/TxD-P
4	—	Unused
5	Signal ground	DGND
6	Termination resistor supply voltage (5 V)	VP
7	—	Unused
8	Receive data/Transmission data (negative)	RxD/TxD-N
9	—	Unused

PROFIBUS cables

Use the PROFIBUS cable which fitted the following requirement.

- Use the shielded twisted pair wire
- Based on IEC61158, Standard (Recommend cable type A)

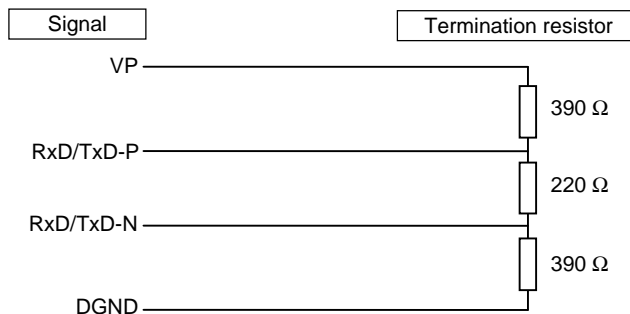
Cable type A specification

Impedance:	135 to 165 Ω
Capacitance:	< 30 pF/m
Loop resistance:	110 Ω/km
Core diameter:	0.64 mm
Core cross section:	> 0.34 mm ²

Maximum cable length by communication speed (For cable type A)

Communication speed (kbps)	9.6	19.2	93.75	187.5	500	1500	12000
Cable length (m)	1200	1200	1200	1000	400	200	100

- Connect the termination resistor to the end of a bus (See below)



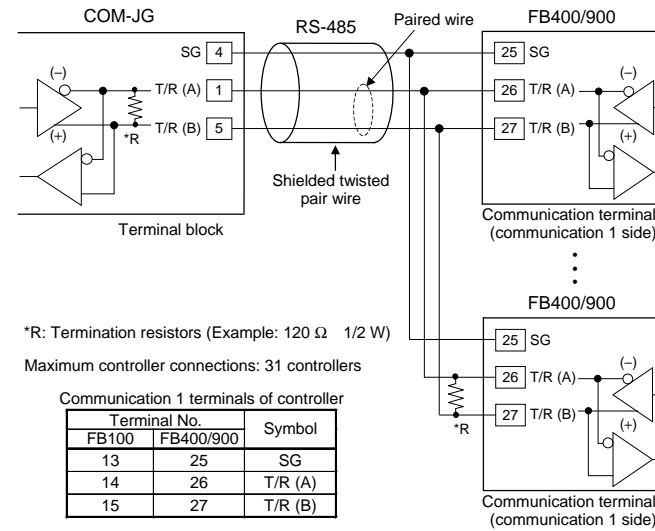
Customer must provide the PROFIBUS cable (a connection cable of PLC and COM-JG). As for the PROFIBUS cable, there is a case prepared by a PLC manufacturer.

The details except the above are connected to the website of PROFIBUS International, and obtain necessary information.

URL: <http://www.profibus.com/>

2.4 Connection to the Controllers

Conduct wiring between the COM-JG and controller (FB100/400/900) as shown in the following. (When conducting wiring to the FB100/400/900, always conduct wiring to the Communication 1 terminal.)



*R: Termination resistors (Example: 120 Ω 1/2 W)

Maximum controller connections: 31 controllers

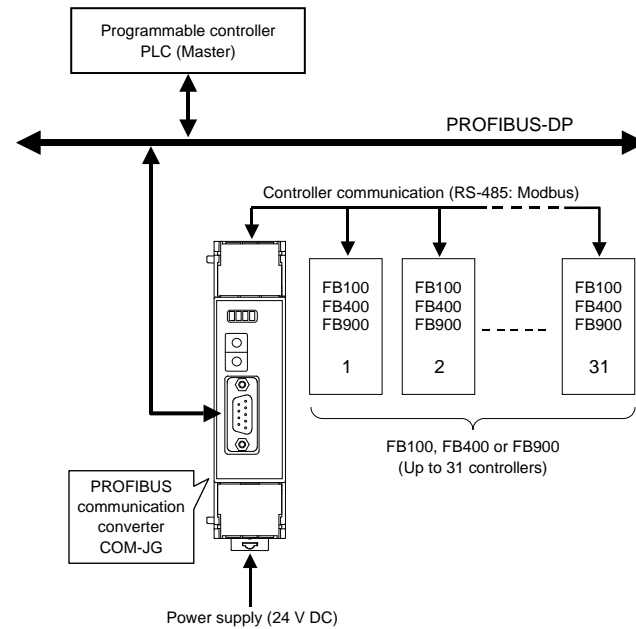
Communication 1 terminals of controller

Terminal No.	Symbol
FB100	FB400/900
13	25 SG
14	26 T/R (A)
15	27 T/R (B)



- The cable is provided by the customer.
- The termination resistor existing within the COM-JG can be connected or disconnected by the switch. (Factory set value: Termination resistor connected)

2.5 System Configuration Example



3. SPECIFICATIONS

PROFIBUS communication

Interface:	Based on RS-485, EIA standard
Protocol:	PROFIBUS-DP
Communication speed:	9600 bps, 19200 bps, 93.75 kbps, 187.5 kbps, 500 kbps, 1.5 Mbps, 12 Mbps
Number of connection nodes:	A master judges the quality situation of a line, and set it automatically.
Connection cable:	1 to 126
	Special cable (Shielded twisted pair wire)

Controller communication

Interface:	Based on RS-485, EIA standard
Protocol:	Modbus-RTU
Communication speed:	9600 bps, 19200 bps, 38400 bps
Data bit configuration:	Data 8-bit, Without parity, Stop 1-bit
Maximum connections:	31 controllers (FB100/400/900)

General specifications

Power supply voltage:	24 V DC
Power supply voltage range:	21.6 to 26.4 V DC
Current consumption:	90 mA max.
Allowable ambient temperature:	-10 to +50 °C
Allowable ambient humidity:	5 to 95 %RH
	(Absolute humidity: MAX.W.C 29.3 g/m ³ dry air at 101.3 kPa)
Installation environment conditions:	Indoor use
	Altitude up to 2000 m
Weight:	Approx. 170 g

Standard

Safety standard:	UL: UL61010-1
	cUL: CSA/CSA-C22.2 No.61010-1
CE marking:	LVD: EN61010-1
	EMC: EN61326-1
RCM:	EN55011

4. MODEL CODE

COM-JG * 01
(1)

(1) Corresponding to the RKC controller
01: FB100/400/900

Modbus is a registered trademark of Schneider Electric.
The name of each programmable controller (PLC) means the products of each manufacturer.
Company names and product names used in this manual are the trademarks or registered trademarks of the respective companies.

RKC RKC INSTRUMENT INC. The first edition: JAN. 2005 [IMQ00]
The fourth edition: SEP. 2015 [IMQ00]
HEADQUARTERS: 16-6, KUGAHARA 5-CHOME, OHTA-KU TOKYO 146-8515 JAPAN
PHONE: 03-3751-9799 (+81 3 3751 9799) E-mail: info@rkcinst.co.jp
FAX: 03-3751-8585 (+81 3 3751 8585) SEP. 2015