

# RKC NEW PRODUCT INFORMATION

Digital controller approved by Lloyd's Register



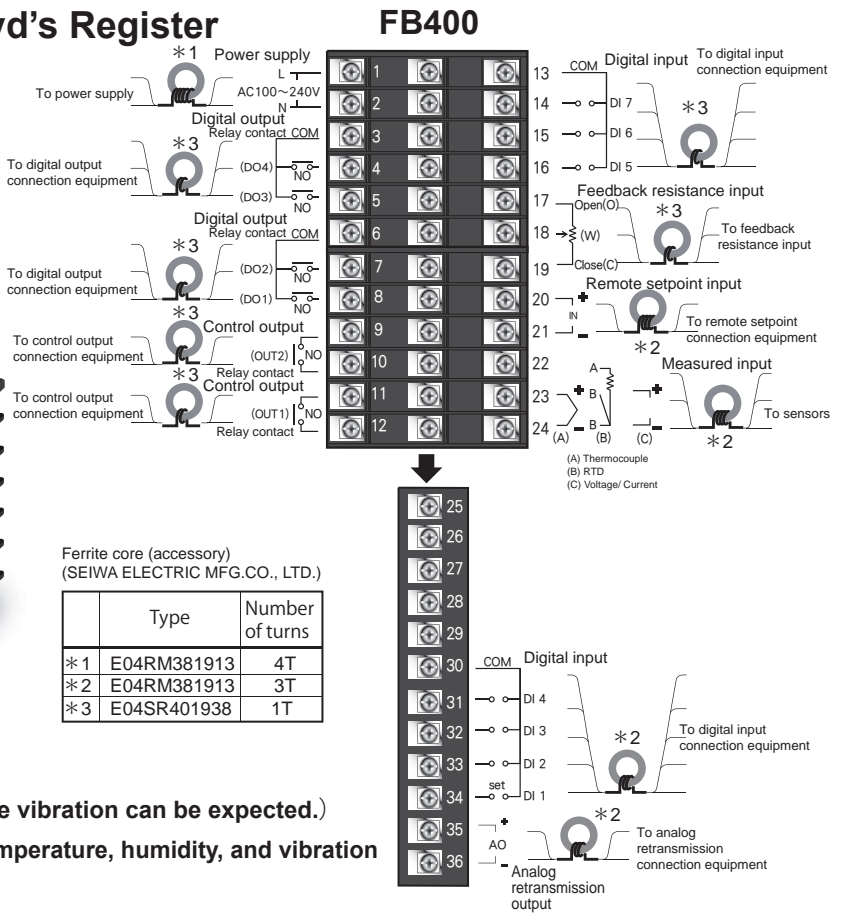
# Information of Digital Controller certified by Marine Standard (Lloyd's Register).

## What is Marine Standard?

Vessel needs to pass the inspection conducted by classification societies in order to certify margin of safety, then vessel can finally achieve an approval of sailing. IUA, The International Underwriting Association of London, considers condition of loading vessel as an important factor for insurance cost calculation. One of applicable conditions for international sea cargo has been defined as that loads shall be transported by a vessel which is certified by classification of IACS (International Association of Classification Societies).

“The Lloyd's Register of shipping (LR)” is a classification society by which qualities of RKC digital controllers are approved.

## ●Digital controller approved by Lloyd's Register



## ●Environmental Category

### ◆Marine Standard ENV2

(Except usage at deck or bridge, or wherever intense vibration can be expected.)

ENV2: enclosed spaces subject to be effected by temperature, humidity, and vibration  
 <ambient temperature range: 5~55C>

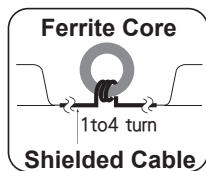
## ●Installation condition

### ◆Installation to the face of the hermetically-sealed control panel

### ◆Installation ferrite core onto input/ output cable

### ◆Use shielded cable for input/ output

Use a shielded wire when wiring input or output and make sure to ground the both edges of the shielded wire. Ground the edge of instrument side near to the instrument as much as possible.



### [Grounding method]

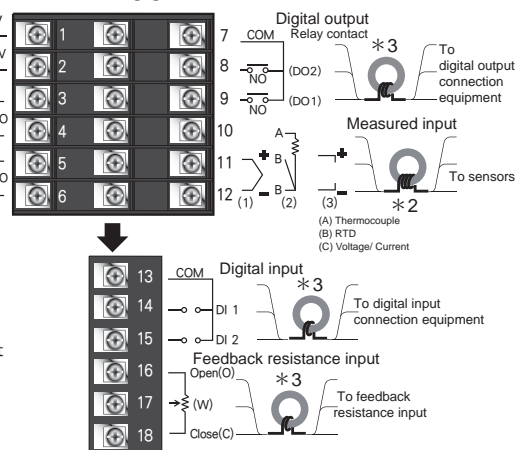


Cut off a part of the covering of the Shield wire to ground with grounding clamps.



To acquire sufficient effect, avoid pigtail grounding.

## FB100



# High Performance Digital Controller

## FB100/400

- High speed sampling Max 0.05 sec. Suitable for process control.
- High accuracy 0.1%
- Selectable PID control PID for "fast response" or "follow-up control"
- New PID control, enhanced undershoot suppression for cooling side.

- Compact and High performance  
FB100

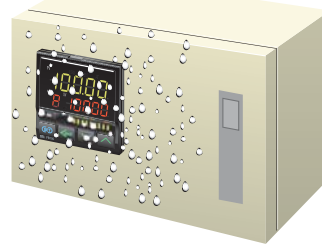


- Equipped with loader communication as standard



- NEMA4X: equipped with IP66 (waterproof/ dustproof design) as standard

\* Effective on the front side at panel mounted installation.



## ● Model and suffix code acquired with Lloyd's Register (Following model code is acquired with Lloyd's Register)

### FB400

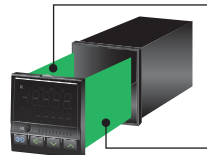
Specifications	Model and Suffix Code							
	(48 x 96mm 1/8 DIN size) FB400 - [ ] [ ] [ ] [ ] [ ] [ ] [ ] [ ]							
① Output 1 (OUT 1)	Relay contact output	M						
② Output 2 (OUT 2)	Not supplied Relay contact output		N					
③ Power Supply	100 to 240V AC			4				
④ Digital Output <Relay contact output>	Not supplied DO 1+DO 2+DO 3+DO 4				N			
⑤ Feedback resistance input	Not supplied Feedback resistance input					N		
⑥ Analog retransmission output (AO)	Not supplied Analog retransmission(0 to 20mA DC) + Digital input 1 to 4 (Area selection) Analog retransmission(4 to 20mA DC) + Digital input 1 to 4 (Area selection)						N	
⑦ Digital input (DI 1~4)	Not supplied Digital input 1 to 4 (Area selection)							N D
⑧ Case color	White case Black case							N A

### FB100

Specifications	Model and Suffix Code				
	(48 x 48mm 1/16 DIN size) FB100 - [ ] [ ] [ ] [ ] [ ]				
① Output 1(OUT 1)	Relay contact output	M			
② Output 2(OUT 2)	Not supplied Relay contact output		N		
③ Power Supply	100 to 240V AC			4	
④ Optional function	Not supplied Digital input 2 points + Feedback resistance input				N C
⑤ Case color	White case Black case				N A

\*Above model and suffix code table do not include input range code, output allocation code or any other initial setting code. Please refer to catalog for FB400/900 series or FB100 series for details.

- Humidity resistance specification is recommended \*Optional  
Optional code: ZK-741(internal PWB coated with silicone)
- \*Urethane coating treatment is also available.  
Please consult with our distributors.



Internal PWB coated with silicone



- Before operating this product, read the instruction manual carefully to avoid incorrect operation.
- This product is intended for use with industrial machines, test and measuring equipment. It is not designed for use with medical equipment.
- If it is possible that an accident may occur as a result of the failure of the product or some other abnormality, an appropriate independent protection device must be installed.

#### Caution for the export trade

All transactions must comply with laws, regulations, and treaties.

#### Caution for imitated products

As products imitating our product now appear on the market, be careful that you don't purchase these imitated products. We will not warrant such products nor bear the responsibility for any damage and/or accident caused by their use.

**RKC** RKC INSTRUMENT INC.  
(RIKA KOGYO CO.,LTD)

HEAD OFFICE : 16-6, KUGAHARA 5 CHOME OHTA-KU TOKYO 146-8515 JAPAN  
PHONE : 03-3751-9799 ( +81 3 3751 9799 )  
Email : info@rkcinst.co.jp  
FAX : 03-3751-8585 ( +81 3 3751 8585 )  
http://www.rkcinst.com/