

Heater Break Alarm Modules HBA-T22/32

HBA-T22 HBA-T32



Specifications

HBA-T22 (For thyristor control, 1-phase)

Input : Current transformer output
(Dedicated model: CTL-6-P)
Detectable load current : 5, 10, 20, 30A AC
(Depends on the rating of HBA-T22)
Settable range : 50 to 100% of the rated value of HBA-T22
Load setting accuracy : $\pm 3\%$ of load set value
Alarm sensitivity : Current change of more than 10% of the load capacity
* Uncertain for the change within 10%.

HBA-T32 (For thyristor control, 3-phase)

Input : Current transformer output
(Dedicated model: CTL-6-P)
Detectable load current : 5, 10, 20, 30A AC
(Depends on the rating of HBA-T32)
Settable range : 50 to 100% of the rated value of HBA-T32
Load setting accuracy : $\pm 3\%$ of load set value
Alarm sensitivity : Current change of more than 15% of the load capacity
* Uncertain for the change within 15%.

HBA-T22/32 (Common specifications)

Alarm display : Light emitting diode (Red)
Number of outputs : 2 points
Alarm output : Form C contact, 200V AC, 3A (resistive load)
Dielectric strength : 1500V AC/1 minute
between each input/output terminal
Insulation resistance : 50M Ω between each input/output terminal
Power supply : 100/110V AC and 200/220V AC (50/60Hz common)
Voltage variation : Within $\pm 10\%$ of rated value
Power consumption : Approx. 1.2VA
Ambient temperature : 0 to 50 °C
Ambient humidity : 45 to 85% RH
Weight : Approx. 400g
Dimensions : 48(W) x 96(H) x 100(D) mm

Model and suffix code

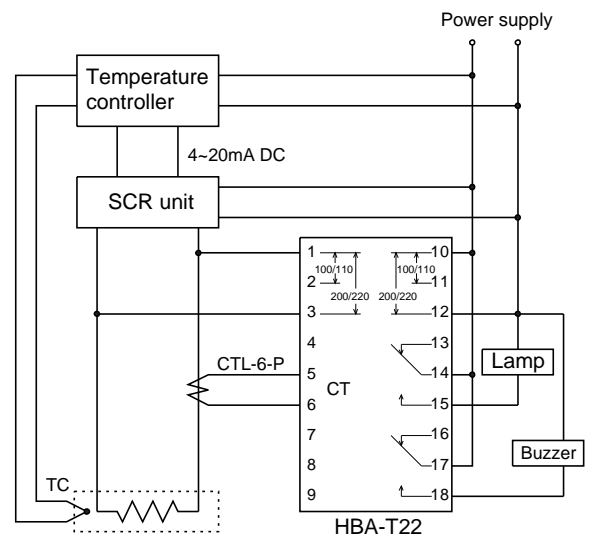
Specifications	Model and Suffix Code	
Model	HBA-T22	<input type="checkbox"/> - <input type="checkbox"/>
Control type	1-phase thyristor for phase control 1-phase thyristor for zero-cross control	P Z
Load current	5A	5
	10A	10
	20A	20
	30A	30

Dedicated current transformer : CTL-6-P-N

Specifications	Model and Suffix Code	
Model	HBA-T32	<input type="checkbox"/> - <input type="checkbox"/>
Control type	3-phase thyristor for phase control 3-phase thyristor for zero-cross control	P Z
Load current	5A	5
	10A	10
	20A	20
	30A	30

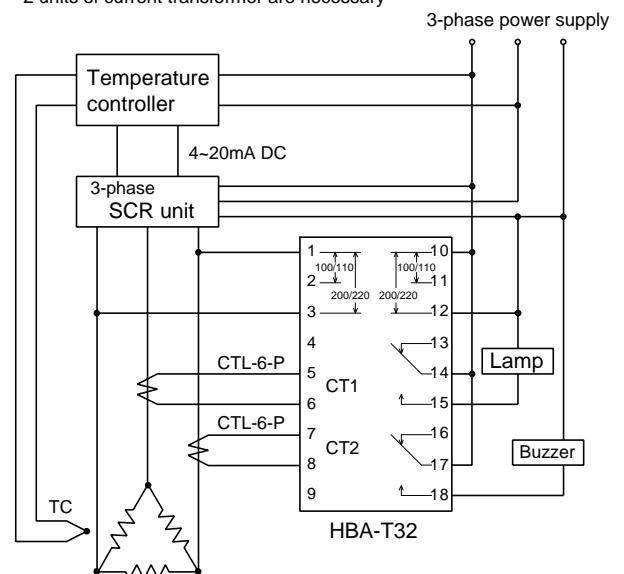
Dedicated current transformer : CTL-6-P-N

HBA-T22 (For 1-phase of power supply)



HBA-T32 (For 3-phase of power supply)

2 units of current transformer are necessary

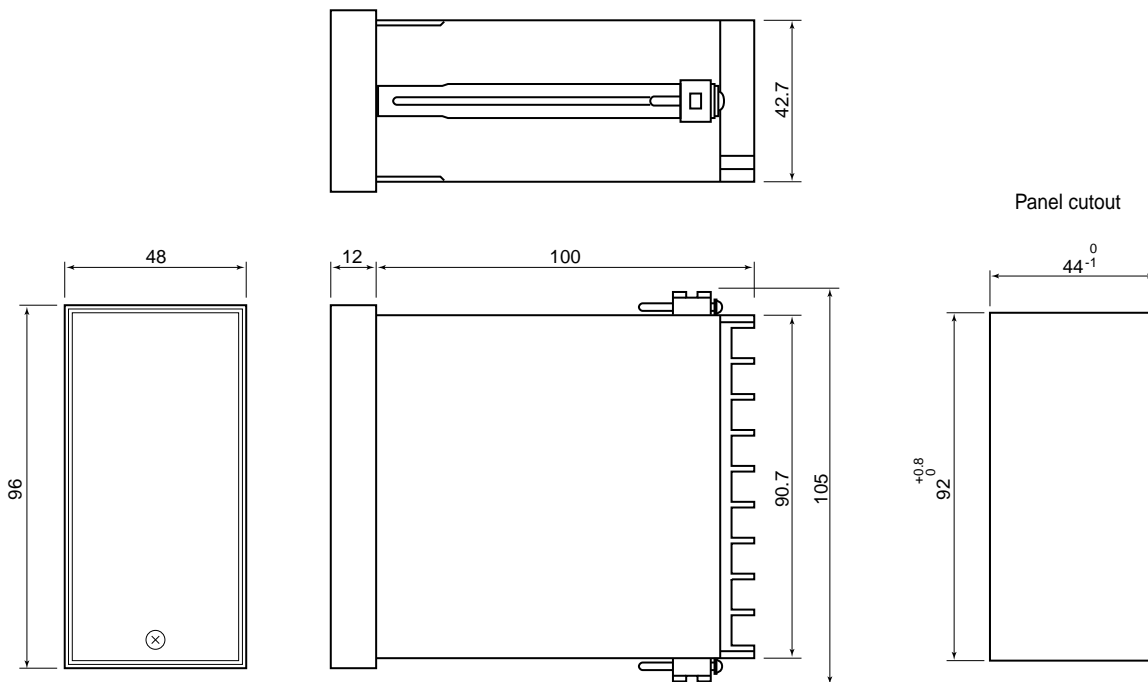


Heater Break Alarm Modules HBA-T22/32

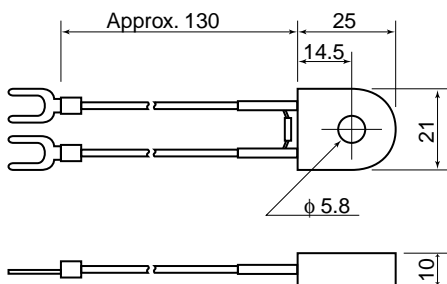
External Dimensions and Rear Terminals

HBA-T22/32

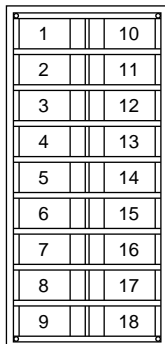
Units : mm



CTL-6-P



HBA-T22/32



No.	Description
1	AC
2	100/110V
3	200/220V
4	Load voltage
5	CT1
6	CT 1 input
7	CT2
8	CT 2 input
9	Ground

No.	Description
10	AC
11	100/110V
12	200/220V
13	NC
14	C
15	NO
16	NC
17	C
18	NO
	Alarm
	Alarm