

Limit Controller CB100L/900L



Specifications

Inputs

Input

- a) Thermocouple : K, J, R, S, B, E, T, N (JIS/IEC), PLII (NBS)
W5Re/W26Re (ASTM), U, L (DIN)
- Influence of external resistance : Approx. 0.25 μ V/ Ω
- Input break action : Up-scale
- b) RTD : Pt100 (JIS/IEC), JPt100 (JIS)
- Influence of input lead resistance : Approx. 0.01[%/ Ω] of reading
• Maximum 10 Ω per wire
- Input break action : Up-scale
- c) DC voltage : 0 to 5V, 1 to 5V, 0 to 10V (0.0 to 100.0% fixed)
- Input break action : Down-scale
- d) DC current : 0 to 20mA, 4 to 20mA (0.0 to 100.0% fixed)
- For DC current input, connect a 250 Ω resistor to the input terminals.
- Input break action : Down-scale

Sampling time

0.5 sec

PV bias

Temperature input : -1999(-199.9) to 9999(999.9) $^{\circ}$ C[$^{\circ}$ F]
DC voltage, DC current : - span to +span

Performance

Measuring accuracy

- a) Thermocouple
 - \pm (0.3% of reading + 1 digit) or \pm 2 $^{\circ}$ C (4 $^{\circ}$ F) whichever is larger
 - Accuracy is not guaranteed between 0 and 399 $^{\circ}$ C (0 and 799 $^{\circ}$ F) for type R, S and B.
 - Accuracy is not guaranteed between -199.9 and -100.0 $^{\circ}$ C (-199.9 and -158.0 $^{\circ}$ F) for type T and U.
- b) RTD
 - \pm (0.3% of reading + 1 digit) or \pm 0.8 $^{\circ}$ C (1.6 $^{\circ}$ F) whichever is larger
- c) DC voltage and DC current
 - \pm (0.3% of span + 1 digit)

Insulation resistance

More than 20M Ω (500V DC) between measured terminals and ground
More than 20M Ω (500V DC) between power terminals and ground

Dielectric strength

1000V AC for one minute between measured terminals and ground
1500V AC for one minute between power terminals and ground

Action

Limit action

- High limit control
 - De-energized or energized output can be selected
 - Low limit control is available.
 - The control output contact goes OPEN (CLOSED when set to energized) when measured value exceeds the set value, and it is retained until reset operation is executed. The reset can be made by front key operation, communication, or digital input.
 - The state of control output contact when power-up can be configured. The output contact is OPEN when power-up for standard de-energized type.

Limit action output

Relay contact output, Form A contact, 250V AC, 3A (resistive load)

Other standard functions

Peak hold

- Memorizes the maximum value during the measured value exceeds the set value (when high limit control).
- Peak hold value can be reset by front key operation, communication, or digital input.
- Peak hold value is reset when the controller is turned off.
- "----" is displayed before the measured value exceeds the set value for the first time.

Integrated time measuring

- Counts up the time during the measured value exceeds the set value (when high limit control).
- Integrated time can be reset by front key operation, communication, or digital input.
- Integrated time is reset when the controller is turned off.

Optional functions

Temperature alarm

- a) Number of points : 2 points
- b) Type : Deviation high, Deviation low, Deviation high/low, Band, Process high, Process low (Hold action is available)
- c) Differential gap : 2 $^{\circ}$ C or 2.0 $^{\circ}$ C (temperature input)
0.2% of span (DC voltage/current input)
- d) Output : Relay contact output, Form A contact, 250VAC, 1A (resistive load)

Communications

- a) Communication method : Based on RS-485 (two-wire)
- b) Synchronous method : Half-duplex multi-drop connection
- c) Protocol : ANSI X3.28 (1976) 2.5 A4
- d) Communication speed : 2400, 4800, 9600, 19200bps
- e) Bit configuration : Start bit : 1
Data bit : 7 or 8
Parity bit : Without, Odd, or Even
Stop bit : 1 or 2
- f) Maximum connection : 31 (Address can be set from 1 to 99.)

Contact input

- a) Number of points : 1 point
- b) Input method : Non-voltage contact input
 - Resistance at OPEN : 500K Ω or more
 - Resistance at CLOSE : 10 Ω or lessReset function is executed when the mode is changed from OPEN to CLOSE.
- c) Function :

Analog output

- a) Number of points : 1 point
- b) Output signal : 4 to 20mA DC, 0 to 20mA DC
- c) Allowable load resistance : 600 Ω or less
- d) Output type : Measured value
- e) Accuracy : \pm 0.3% of span
- f) Resolution : More than 10 bits

Waterproof and dustproof

CB100L : IP66
CB900L : IP65

- Dustproof and waterproof protection are effective only from the front direction when installed on a panel.
- Dustproof and waterproof protection are not effective when controllers are closely mounted.

General specifications

Supply voltage

- a) 85 to 264V AC (Including supply voltage variation)
[Rating : 100 to 240V AC] (50/60Hz common)
- b) 21.6 to 26.4V AC (Including supply voltage variation)
[Rating : 24V AC] (50/60Hz common)
- c) 21.6 to 26.4V DC (Ripple rate 10% p-p or less) [Rating : 24V DC]

Power consumption

Less than 10VA for standard AC type
Less than 5VA for 24V AC type
Less than 160mA for 24V DC type

Effect by power failure

Not affected by power failure shorter than 20msec, otherwise reset to the initial state.

Operating environments : 0 to 50 $^{\circ}$ C [32 to 122 $^{\circ}$ F] , 45 to 85% RH

Memory backup : Backed up by non-volatile memory.

Net weight

CB100L : Approx. 170g
CB900L : Approx. 340g

External Dimensions (W x H x D)

CB100L : 48 x 48 x 100mm
CB900L : 96 x 96 x 100mm

Compliance with standards

- CE marked
- UL recognized (UL3101-1) File No.E172270
- CSA certified (CSA-C22.2 No.1010.1-92) File No.LR46566
- FM approved (FM3545)



Limit Controller CB100L/900L

Model and Suffix Code

Specifications	Model and Suffix Code	
Size	CB100 (1/16 DIN size) CB900 (1/4 DIN size)	<input type="checkbox"/> <input type="checkbox"/> <input type="checkbox"/> - M * <input type="checkbox"/> <input type="checkbox"/> - <input type="checkbox"/> - <input type="checkbox"/> <input type="checkbox"/> / <input type="checkbox"/>
Type	Limit controller	L
Input type	See range and input code table	<input type="checkbox"/>
Range	See range and input code table	<input type="checkbox"/>
Output	Relay output	M
Alarm 1	No alarm See alarm code	N <input type="checkbox"/>
Alarm 2	No alarm See alarm code	N <input type="checkbox"/>
Analog output	Not supplied 0 to 20mA DC 4 to 20mA DC	N 7 8
Digital communications *1 Contact input *1	Not supplied Digital communications : RS-485 (2-wire system) Contact input	N 5 D
Waterproof and dustproof	Not supplied Waterproof and dustproof protection	N 1
Body color	Black White	A N

*1: Either communications or contact input can be selected.

Range and input code table

Thermocouple

Input	Code	Range
K	K 01	0 - 200°C
	K 02	0 - 400°C
	K 03	0 - 600°C
	K 04	0 - 800°C
	K 05	0 - 1000°C
	K 06	0 - 1200°C
	K 07	0 - 1372°C
	K 13	0 - 100°C
	K 14	0 - 300°C
	K 20	0 - 500°C
	K A1	0 - 800°F
	K A2	0 - 1600°F
	K A3	0 - 2502°F
	K A9	20 - 70°F
J	J 01	0 - 200°C
	J 02	0 - 400°C
	J 03	0 - 600°C
	J 04	0 - 800°C
	J 05	0 - 1000°C
	J 06	0 - 1200°C
	J A1	0 - 800°F
J A2	0 - 1600°F	
J A3	0 - 2192°F	
J A6	0 - 400°F	
*1 R	R 01	0 - 1600°C
	R 02	0 - 1769°C
	R 04	0 - 1350°C
	R A1	0 - 3200°F
R A2	0 - 3216°F	
*1 S	S 01	0 - 1600°C
	S 02	0 - 1769°C
	S A1	0 - 3200°F
	S A2	0 - 3216°F
*1 B	B 01	400 - 1800°C
	B 02	0 - 1820°C
	B A1	800 - 3200°F
	B A2	0 - 3308°F

Input	Code	Range	
E	E 01	0 - 800°C	
	E 02	0 - 1000°C	
	E A1	0 - 1600°F	
	E A2	0 - 1832°F	
N	N 01	0 - 1200°C	
	N 02	0 - 1300°C	
	N A1	0 - 2300°F	
	N A2	0 - 2372°F	
	*2 T	T 01	-199.9 - 400.0°C
		T 02	-199.9 - 100.0°C
T 03		-100.0 - 200.0°C	
T 04		0.0 - 350.0°C	
T A1		-199.9 - 752.0°F	
T A2		-100.0 - 200.0°F	
T A3	-100.0 - 400.0°F		
T A4	0.0 - 450.0°F		
T A5	0.0 - 752.0°F		
W5Re W26Re	W 01	0 - 2000°C	
	W 02	0 - 2320°C	
	W A1	0 - 4000°F	
PL II	A 01	0 - 1300°C	
	A 02	0 - 1390°C	
	A 03	0 - 1200°C	
	A A1	0 - 2400°F	
A A2	0 - 2534°F		
*2 U	U 01	-199.9 - 600.0°C	
	U 02	-199.9 - 100.0°C	
	U 03	0.0 - 400.0°C	
	U A1	-199.9 - 999.9°F	
	U A2	-100.0 - 200.0°F	
	U A3	0.0 - 999.9°F	
L	L 01	0 - 400°C	
	L 02	0 - 800°C	
	L A1	0 - 800°F	
	L A2	0 - 1600°F	

RTD

Input	Code	Range
Pt100	D 01	-199.9 - 649.0°C
	D 02	-199.9 - 200.0°C
	D 03	-100.0 - 50.0°C
	D 04	-100.0 - 100.0°C
	D 05	-100.0 - 100.0°C
	D 06	0.0 - 50.0°C
	D 07	0.0 - 100.0°C
	D 08	0.0 - 200.0°C
	D 09	0.0 - 300.0°C
	D 10	0.0 - 500.0°C
	D A1	-199.9 - 999.9°F
	D A2	-199.9 - 400.0°F
	D A3	-199.9 - 200.0°F
	D A4	-199.9 - 100.0°F
	D A5	-100.0 - 300.0°F
	D A6	0.0 - 100.0°F
	D A7	0.0 - 200.0°F
D A8	0.0 - 400.0°F	
D A9	0.0 - 500.0°F	
JPt100	P 01	-199.9 - 649.0°C
	P 02	-199.9 - 200.0°C
	P 03	-100.0 - 50.0°C
	P 04	-100.0 - 100.0°C
	P 05	-100.0 - 200.0°C
	P 06	0.0 - 50.0°C
	P 07	0.0 - 100.0°C
	P 08	0.0 - 200.0°C
	P 09	0.0 - 300.0°C
	P 10	0.0 - 500.0°C

Voltage and Current

Input	Code	Range
0 - 5V DC	4 01	0.0 - 100.0
0 - 10V DC	5 01	0.0 - 100.0
1 - 5V DC	6 01	0.0 - 100.0
0 - 20mA DC *3	7 01	0.0 - 100.0
4 - 20mA DC *3	8 01	0.0 - 100.0

*1 Type R, S and B input : Accuracy is not guaranteed between 0 and 399°C (0 and 799°F)

*2 Type T and U input : Accuracy is not guaranteed between -199.9 and -100.0°C (-199.9 and -158.0°F)

*3 DC current input : A 250 Ω resistor is externally connected to input terminals.

Alarm code table

Code	Type
A	Deviation High
B	Deviation Low
C	Deviation High/Low
D	Band Alarm
E	Deviation High with Hold
F	Deviation Low with Hold
G	Deviation High/Low with Hold

Code	Type
H	Process High
J	Process Low
K	Process High with Hold
L	Process Low with Hold

Supply voltage

100 - 240V AC	24V AC	24V DC
---------------	--------	--------

Accessories

Shunt resistor for DC current input
KD100-55

Terminal cover

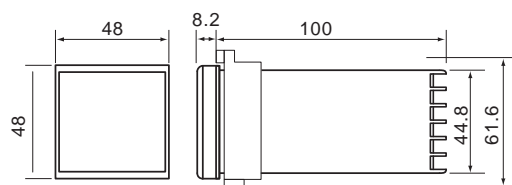
KCA100-517 (CB100L) KCA900-58 (CB900L)

Limit Controller CB100L/900L

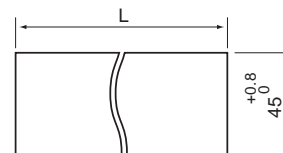
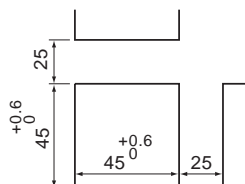
External Dimensions and Rear Terminals

CB100L

Unit : mm

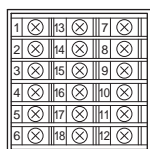


Panel cutouts



$$L = (48 \times n - 3) \frac{+0.6}{0}$$

n : Number of controllers (2 ≤ n ≤ 6)



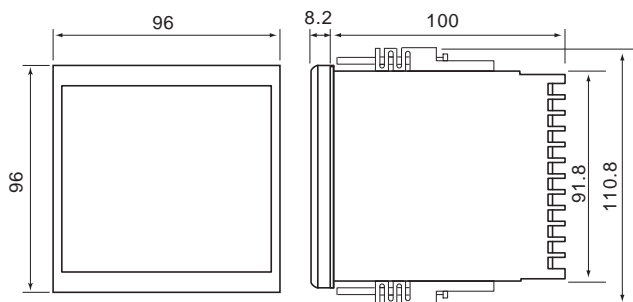
No.	Description
1	AC 100 to 240V, AC 24V, DC+ 24V, Power supply
2	AC 24V, DC- 24V, Power supply
3	AO, Analog output
4	AO, Analog output
5	NO, Limit output
6	NO, Relay contact output

No.	Description
7	NO, Alarm 2, Alarm output
8	NO, Alarm 1, Relay contact output
9	NO, Relay contact output
10	A, Measured input (1) Thermocouple
11	B, Measured input (2) RTD
12	B, Measured input (3) Voltage/Current

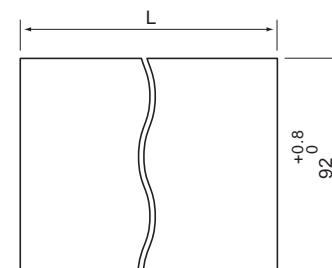
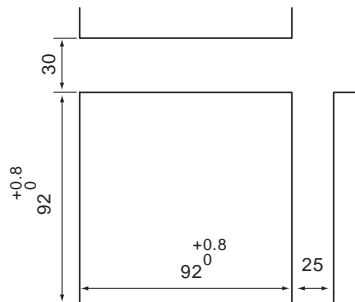
No.	Description
13	SG, Communications
14	T/R(A), DI, Contact input
15	T/R(B), Contact input
16	
17	
18	

CB900L

Unit : mm

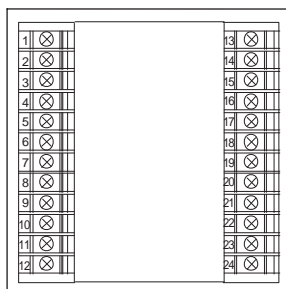


Panel cutouts



$$L = (96 \times n - 4) \frac{+0.8}{0}$$

n : Number of controllers (2 ≤ n ≤ 6)



No.	Description
1	AC 100 to 240V, AC 24V, DC+ 24V, Power supply
2	AC 24V, DC- 24V, Power supply
3	AO, Analog output
4	AO, Analog output
5	NO, Limit output
6	NO, Relay contact output
7	NO, Alarm 2, Alarm output
8	NO, Alarm 1, Relay contact output
9	NO, Relay contact output
10	A, Measured input (1) Thermocouple
11	B, Measured input (2) RTD
12	B, Measured input (3) Voltage/Current

No.	Description
13	SG, Communications
14	T/R(A), DI, Contact input
15	T/R(B), Contact input
16	
17	
18	
19	
20	
21	
22	
23	
24	